

PSAE-V1 PSAE-E1

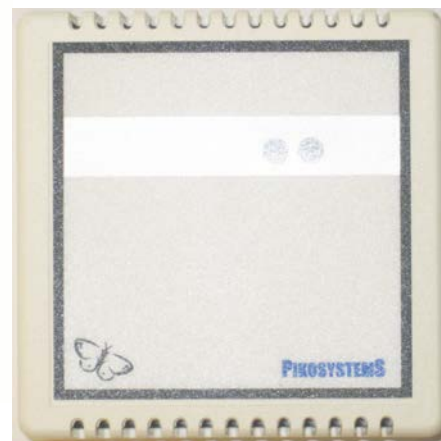
IR extension modules

System:
Butterfly

PSAE-V1



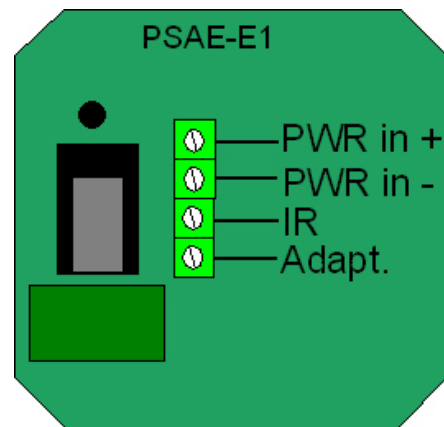
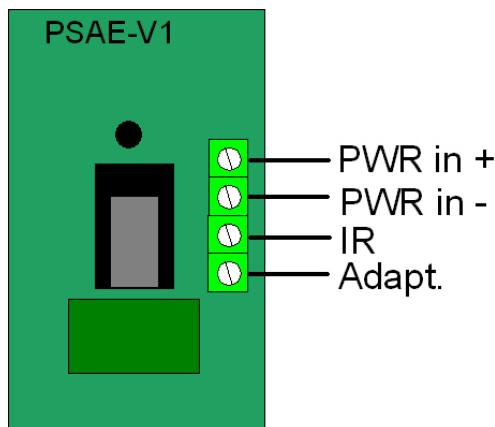
PSAE-E1



Characteristics:

"Additional eye" that can be connected in parallel to the IR eye and that can extend the reception distance or control a receiver that is behind a corner or a wall.

The device can also repeat the adaptivity transmission of a PSAR receiver.



Technical specification:

Enclosure: ABS
 Dimensions: 30 x 52 x 18 mm (PSAE-V1)
 84 x 84 x 36 mm (PSAE-E1)
 Weight: 30 g (PSAE-V1)
 90 g (PSAE-E1)
 Supply voltage: 12–24 Vdc or 8–15 Vac
 Output: IR-out
 Connectors: Screw connectors, power, gnd, IR-out, adaptivity
 Adaptivity feature: Yes
 Operating temperature: -20 – +40 °C
 CE

Colour recommendations for wiring cables:

+24V = brown
 Gnd = blue
 IR = green
 Adapt = yellow
 Relay = grey & white
 +12V (when needed) = pink