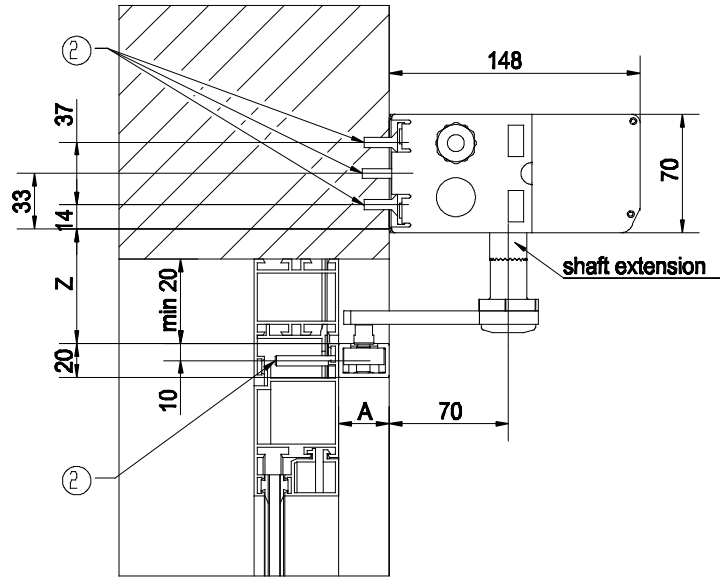
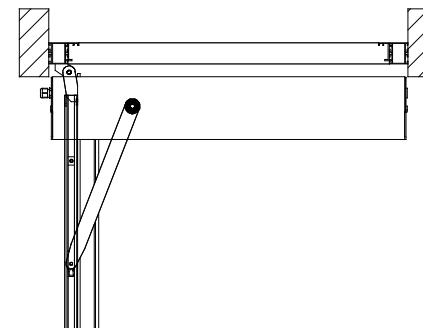
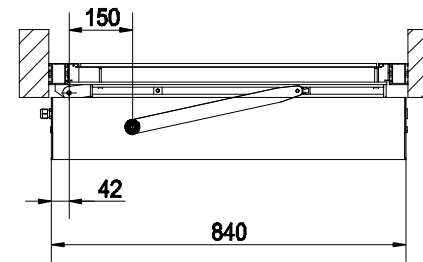
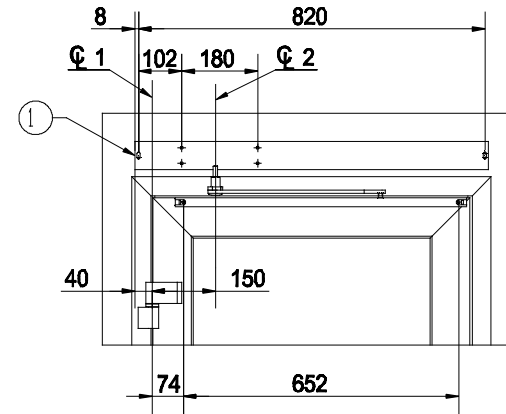


© All rights in and to this material are the sole property of ASSA ABLOY Entrance Systems AB. Copying, scanning, alterations or modifications are expressly forbidden without the prior written consent of the applicable company within ASSA ABLOY Entrance Systems AB. Rights reserved for changes without prior notice.



- ⌀ 1: HINGES
- ⌀ 2: OPERATOR DRIVE SHAFT
- A: REVEAL -20~130MM
- 1: CABLE INLET
- 2: REINFORCEMENTS REQUIRED IN DOOR LEAF AT FIXING HOLES

Z	shaft extension
48	0
68	20
98	50
118	70



Customer:

Ref:

Door id:

Date:

Project No:

Sign:

**SW300  
PULL ARM SYSTEM  
SINGLE DOOR**



**1 1009994-EI**