



oem produksjon
dørelektronikk
beslag
lås

...fra ide til produkt
vår felles mulighet.

www.bfs.as



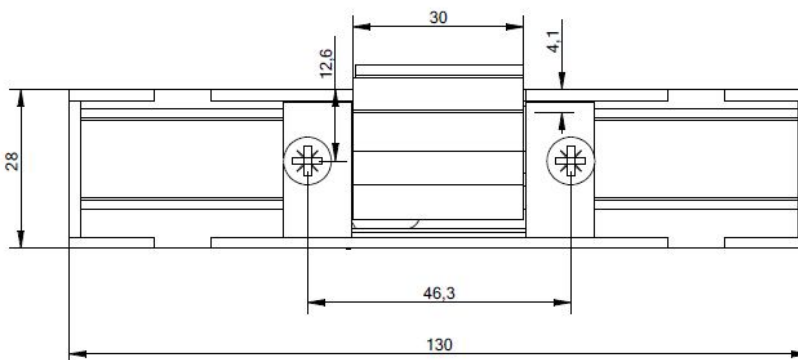
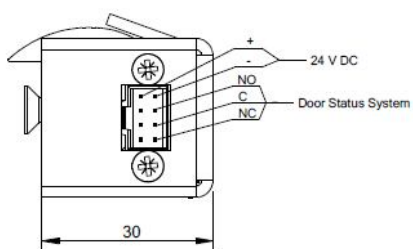
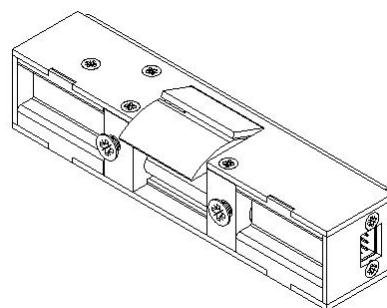
ELECTRIC STRIKE

MODEL BFS ES 300

BFX electric strike is used for remote, wired locking / unlocking metal, wooden or aluminum doors. It is applied to access control systems, intercoms, card readers systems. This series feature symmetric design and high resistance to preload force.

Characteristics:

- fail-secure (NC - normally closed)
- dimension – 130x30x28
- temperature range from -40 to +50 C degrees
- preload force – at least 250 N
- mechanical strength – opening cycles at least 200.000
- DIN left and DIN right doors
- latch made out of steel



CATEGORY

	24V DC
Index	BFS ES 300
Voltage tolerance (V)	-
Resistance (Ohm)	97
Power consumption DC (50% ripple) (mA)	-
Power consumption DC (mA)	250
Min preload force at DC (N)	250
Loudness (1=low, 2=medium, 3=high)	1
Continuously powered (100%ED)	